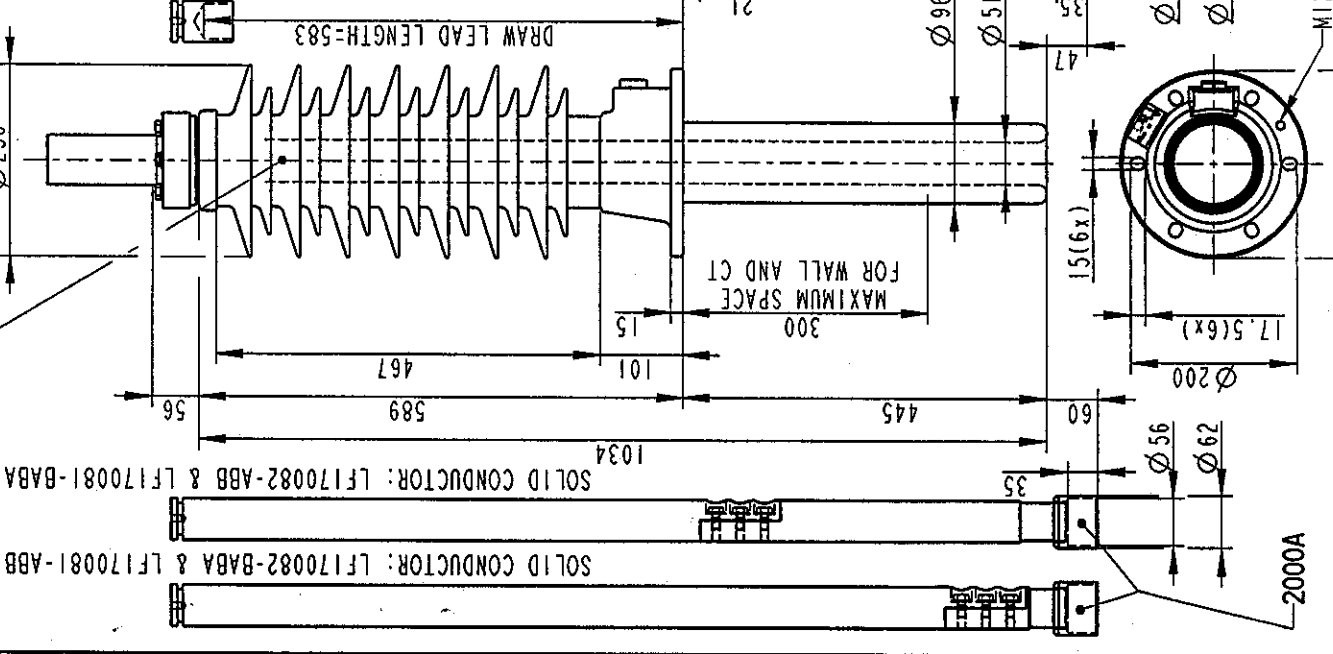


BUSHING NAME: LF10052-BB

SOLID CONDUCTOR: LF170082-BBA & LF170081-ABB  
 SOLID CONDUCTOR: LF170082-ABB & LF170081-BABA  
 SOLID CONDUCTOR: LF170082-ABBA & LF170081-BBAB



INNER TERMINAL	Catalogue No	D cable	MASS
	LF70080-A	5	1
	LF70080-B	11	1
	LF70080-C	13	1
	LF70080-D	15	1
	LF70080-E	18	1
	LF70080-F	30	1
	LF70080-G	42	1
	LF70080-H	45	1

OUTER TERMINAL	Catalogue No	MATERIAL	MASS	H2	D.STUD
	LF70079-A	AL	2.3	125	60
	LF70079-B	AL	16	125	30
	LF70079-C	CU	6.2	125	60
	LF70079-D	CU	3.6	125	30
	LF70079-E	CU/SN	6.2	125	60
	LF70079-F	CU/SN	3.6	125	30
	LF70079-G	CU/AG	6.2	125	60
	LF70079-H	CU/AG	3.6	125	30

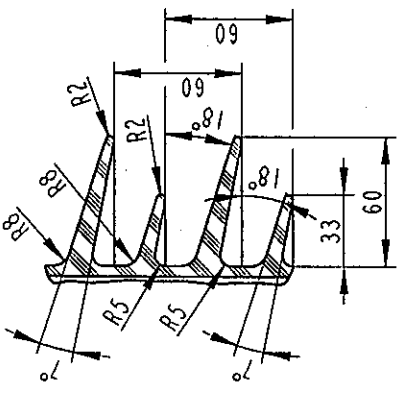
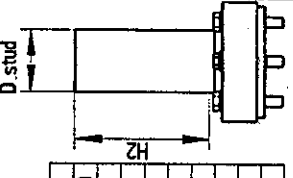


ABB Components	Lubika, Sweden
6SA52-0A/2000/03	LF30052-BB
No.	52/52
U/V	2000 A 50/60 Hz
L/S	250 / - / 120
M	kg L 445 mm V 0-90
C1	pF Tan δ
C2	pF Tan δ

Signatures acc. to  
 Revision 0 are valid  
 Signaturer enligt  
 Revision 0 gäller

Max 1600A

ELECTRICAL DATA, according to IEC 137	
Ratings	Rated voltage
	52 kV
	Max phase to earth voltage, temporary
	52 kV
	Max current with Cu-conductor
	2000 A
	Max current with stranded cable 740 mm <sup>2</sup>
	1000 A
	Dry lightning impulse
	250 kV
	Wet power frequency
	95 kV
Routine test	Dry power frequency
	120 kV
Capacitance	Nominal capacitance
	386 pF
GENERAL DATA, according to IEC 137	
Silicone rubber insulator	Creepage distance
	1642 mm
	Protected creepage distance
	700 mm
	Colour
	GREY RAL 7035
Mass	Mass bushing
	16 kg
Cantilever load	Cantilever test load, heavy load
	2500 N
	Max cantilever operating load, bushing
	1250 N
Temp class	Temperature class
	CLASS 2
Mounting and service instructions	
	2750 515-15
ELECTRICAL DATA according to ANSI C57.19.00	
Ratings	Insulation class
	46 kV
	Rated max. line to ground voltage
	29-kV
	Max current with Cu-conductor
	2000 A
	Max current with stranded cable 740 mm <sup>2</sup>
	1000 A

Dim. requirements acc. to C57.19.01 not fulfilled.

Reg. No.	Title
	OIL-AIR BUSHING
	GSA52-0A/2000/0.3
Responsible department	COM/BKU 96 44
Take over department	
Database	
Page	82
Page	1(11)
Document No.	2751362-ABB

Based on	Prepared	Approved	Revision
	LINUSSON	JACOBSON	
Production engineering review			
ASMO			
Inspection engineering review			
JOHANSSON			
Design engineering review			
PETRICI			

Reserve all rights in this document and the information contained therein. Reproduction, use or disclosure in any form without express authority is strictly forbidden.